



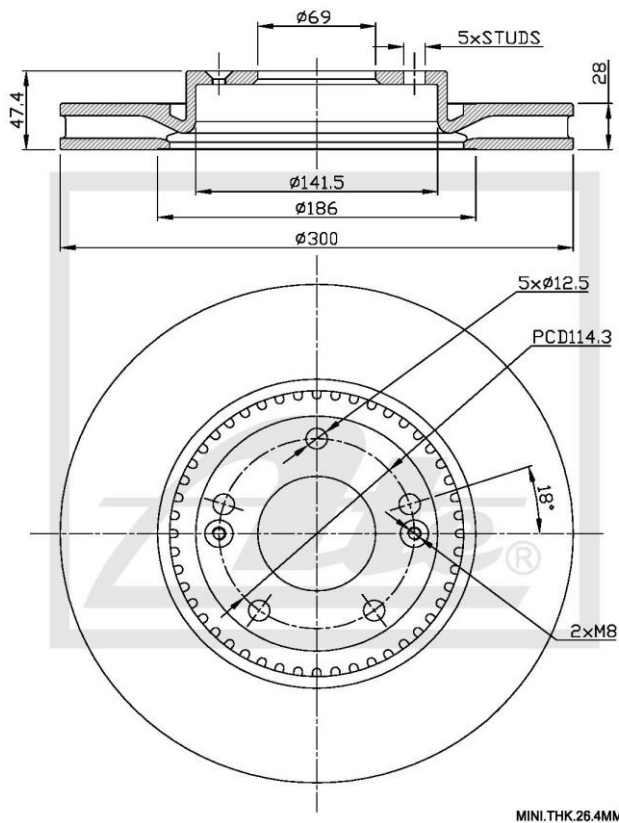
TECHNICAL BULLETIN
22 JUNE 2018

128.0234

(ATE and Teves are registered trademarks of Continental Teves AG & Co oHG and/or its affiliates in Frankfurt Germany and other Countries)

NEW PART NUMBER UPDATE

Drawing



Details of New Part

Brake disc - FRONT

Sizes:

Diameter - 300mm

Height - 47.4mm

PCD - 5x114mm

Spigot - 69mm



Vehicle Applications

HYUNDAI i30 2012- (Alternate)

Fr. Position Rr.



CALL NOW TO ORDER YOUR STOCK !!!

(011) 898 1800

Picture(s) of vehicle(s) that this part is suitable for:



"Single Minded about YOUR Safety"