

ALFRED TEVES BRAKE SYSTEMS (PTY) LTD

TECHNICAL BULLETIN

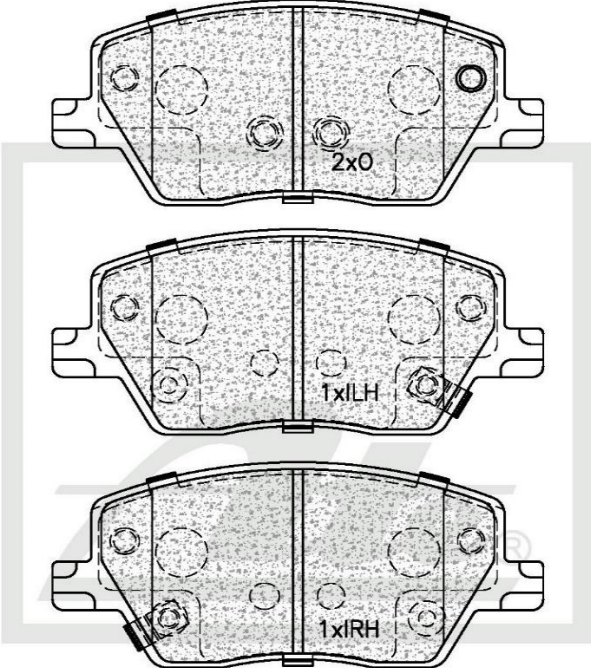


04 November 2020



(ATE and Teves are registered trademarks of Continental Teves AG & Co oHG and/or its affiliates in Frankfurt Germany and other Countries)

ATE1377

NEW PART NUMBER

Drawing	Details of New Part
 <p>SUPPLIED WITH 2 X WEAR INDICATOR PADS PER SET NOTE : L + R HANDED</p> <p>← 133 → 58.8 ↑ 19.2</p>	<p>Brake Pad – Front</p> <p><u>Product Dimensions</u> Length- 133.0mm Height – 58.8mm Thickness – 19.2mm</p> <p><u>Package Dimensions</u> Weight –1857g L – 185mm W – 100mm H – 65mm</p> <p><u>Barcode</u></p>  <p>ATE1377</p>
Vehicle Applications	Front Position Rear
<p>FIAT TIPO (356_) 1.3, 1.4, 1.6, 2015-</p>	

CALL NOW TO ORDER YOUR STOCK!!!

(011) 898 1800

Picture(s) of the vehicle(s) that this part is suitable for



www.ate.co.za

"Single Minded about YOUR Safety"