



ATE1289

(ATE and Teves are registered trademarks of Continental Teves AG & Co oHG and/or its affiliates in Frankfurt Germany and other Countries)

NEW PART NUMBER UPDATE

Drawing

Details of New Part

Brake Pad - FRONT

Brake Pad Sizes:

L - 165.5mm

H - 54.1mm

W - 17mm

Box Dimensions

Weight - 1880g

L - 215mm

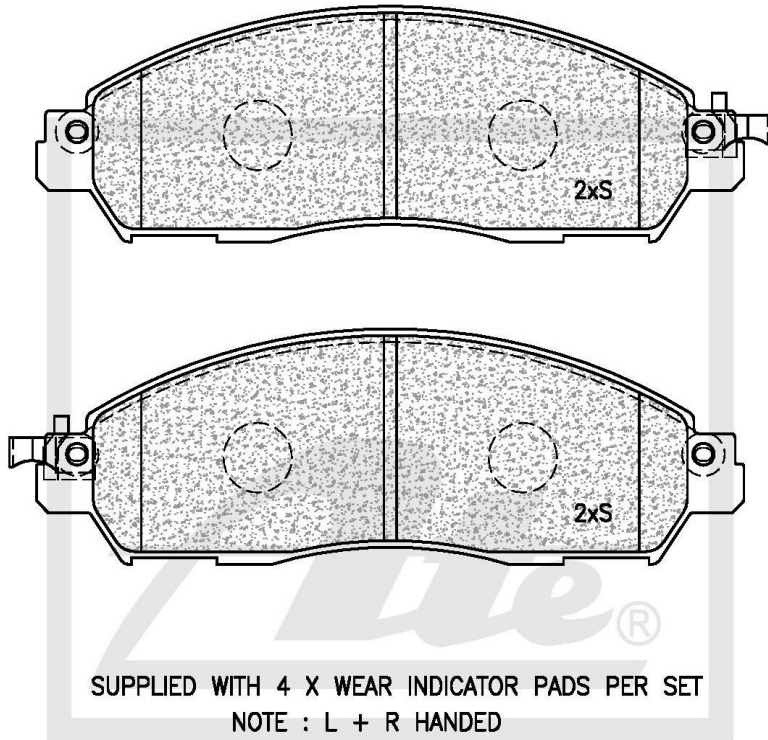
H - 85mm

W - 115mm

Barcode



ATE1289



SUPPLIED WITH 4 X WEAR INDICATOR PADS PER SET
NOTE : L + R HANDED

← 165.5 → 54.1 → 17 ←

Vehicle Applications

Fr. Position Rr.

NISSAN "NEW" NAVARA (D23); ALL MODELS, 2017-



CALL NOW TO ORDER YOUR STOCK !!!

(011) 898 1800

Picture(s) of vehicle(s) that this part is suitable for:



"Single Minded about YOUR Safety"