



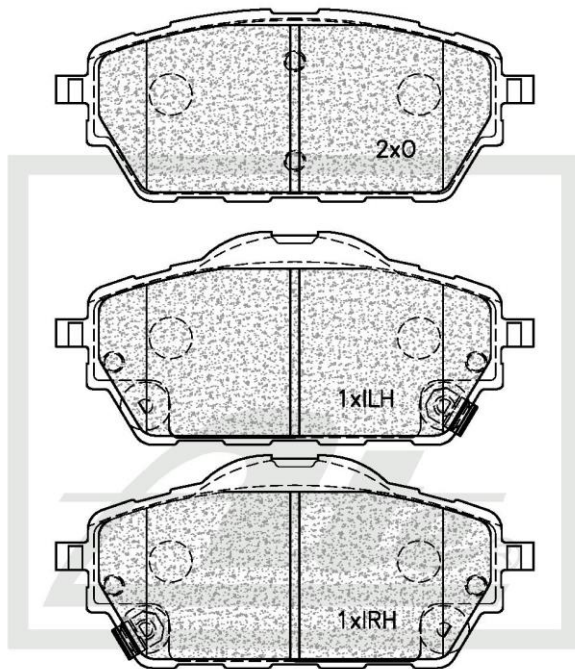
TECHNICAL BULLETIN
11 OCTOBER 2019

ATE1350

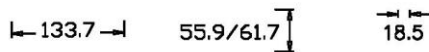
(ATE and Teves are registered trademarks of Continental Teves AG & Co oHG and/or its affiliates in Frankfurt Germany and other Countries)

NEW PART NUMBER UPDATE

Drawing



SUPPLIED WITH 2 X WEAR INDICATOR PADS PER SET
NOTE : L + R HANDED



Details of New Part

BRAKE PAD - FRONT

Brake Pad Sizes:

Length - 133.7mm

Height - 55.9mm / 61.7mm

Thickness - 18.5mm

Box Dimensions

Weight - 1670g

L - 170mm

H - 55mm

W - 135mm

Barcode



ATE1350

Vehicle Applications

HAVAL H2 2014-

Fr. Position Rr.



CALL NOW TO ORDER YOUR STOCK !!!

(011) 898 1800

Picture(s) of vehicle(s) that this part is suitable for:



www.ate.co.za

"Single Minded about YOUR Safety"