

ALFRED TEVES BRAKE SYSTEMS (PTY) LTD

TECHNICAL BULLETIN

27 January 2021

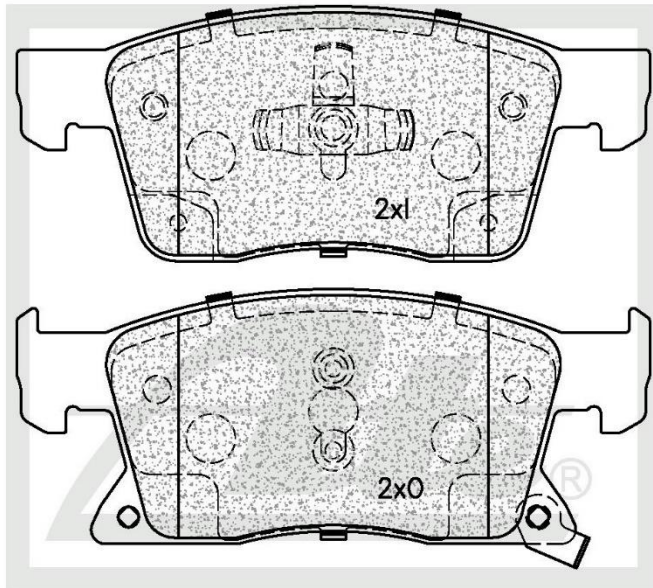


(ATE and Teves are registered trademarks of Continental Teves AG & Co oHG and/or its affiliates in Frankfurt Germany and other Countries)

ATE1378

NEW PART NUMBER

Drawing



SUPPLIED WITH 2 X WEAR INDICATOR PADS PER SET
NOTE : L + R HANDED



Details of New Part

Brake Pad – Front/Rear

Product Dimensions

Length – 155.1mm

Height – 62.4mm

Thickness – 20.6mm

Package Dimensions

Weight – 2079g

L – 215mm

W – 110mm

H – 85mm

Barcode



ATE1378



Vehicle Applications

OPEL ASTRA K (B16) 1.0, 1.4, 1.6 2015-

Front Position Rear



CALL NOW TO ORDER YOUR STOCK!!!

(011) 898 1800

Picture(s) of the vehicle(s) that this part is suitable for



www.ate.co.za

"Single Minded about YOUR Safety"