

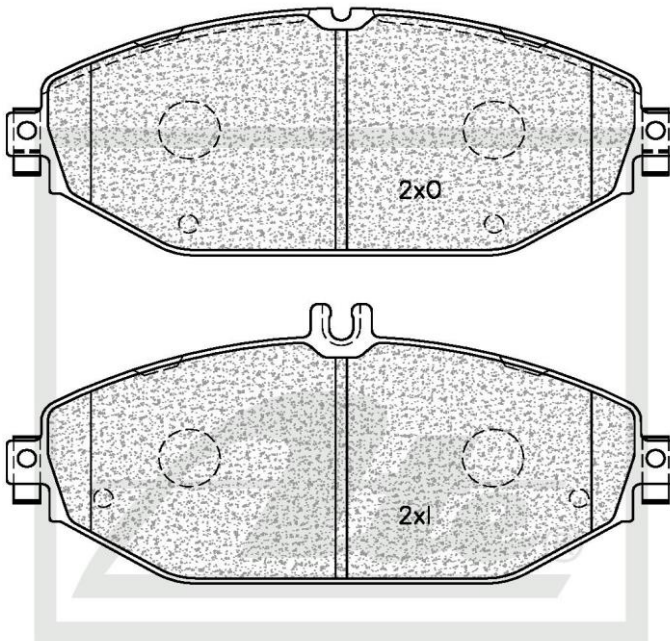


ATE1328

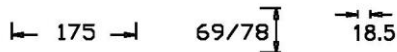
(ATE and Teves are registered trademarks of Continental Teves AG & Co oHG and/or its affiliates in Frankfurt Germany and other Countries)

NEW PART NUMBER UPDATE

Drawing



SUPPLIED WITH 2 X WEAR INDICATOR PADS PER SET
NOTE : L + R HANDED



Details of New Part

BRAKE PAD - FRONT

Brake Pad Sizes:

Length - 175.0mm

Height - 78.0mm / 69.0mm

Thickness - 18.5mm

Box Dimensions

Weight - 2800g

L - 220mm

H - 89mm

W - 115mm

Barcode



ATE1328

Vehicle Applications

Fr. Position Rr.

MERCEDES-BENZ C-CLASS (W205),(A205),(C205) 2013-;
MERCEDES-BENZ E-CLASS (W213),(A238),(C238),(S213) 2016-



CALL NOW TO ORDER YOUR STOCK !!!

(011) 898 1800

Picture(s) of vehicle(s) that this part is suitable for:



www.ate.co.za

"Single Minded about YOUR Safety"