



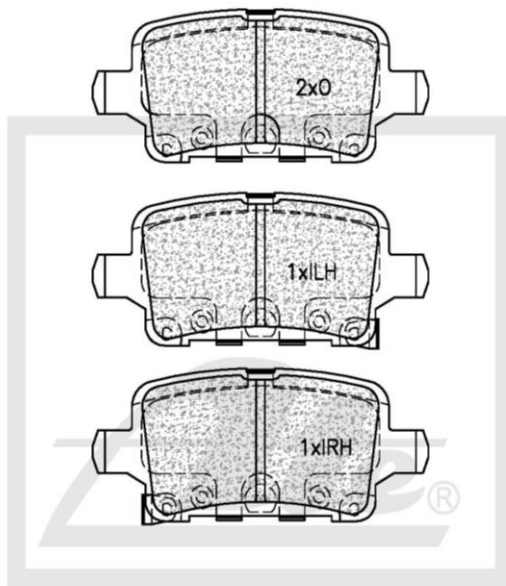
TECHNICAL BULLETIN
11 FEBRUARY 2020

ATE1366

(ATE and Teves are registered trademarks of Continental Teves AG & Co oHG and/or its affiliates in Frankfurt Germany and other Countries)

NEW PART NUMBER UPDATE

Drawing



SUPPLIED WITH 2 X WEAR INDICATOR PADS PER SET
NOTE : L + R HANDED



Details of New Part

BRAKE PAD - REAR

Brake Pad Sizes:

Length - 106.4mm

Height - 46.6mm

Thickness - 15.9mm

Box Dimensions

Weight - 1042g

L - 175mm

H - 55mm

W - 135mm

Barcode



ATE1366

Vehicle Applications

OPEL ASTRA K (B16) 2015-;

Fr. Position Rr.



CALL NOW TO ORDER YOUR STOCK !!!

(011) 898 1800

Picture(s) of vehicle(s) that this part is suitable for:



"Single Minded about YOUR Safety"