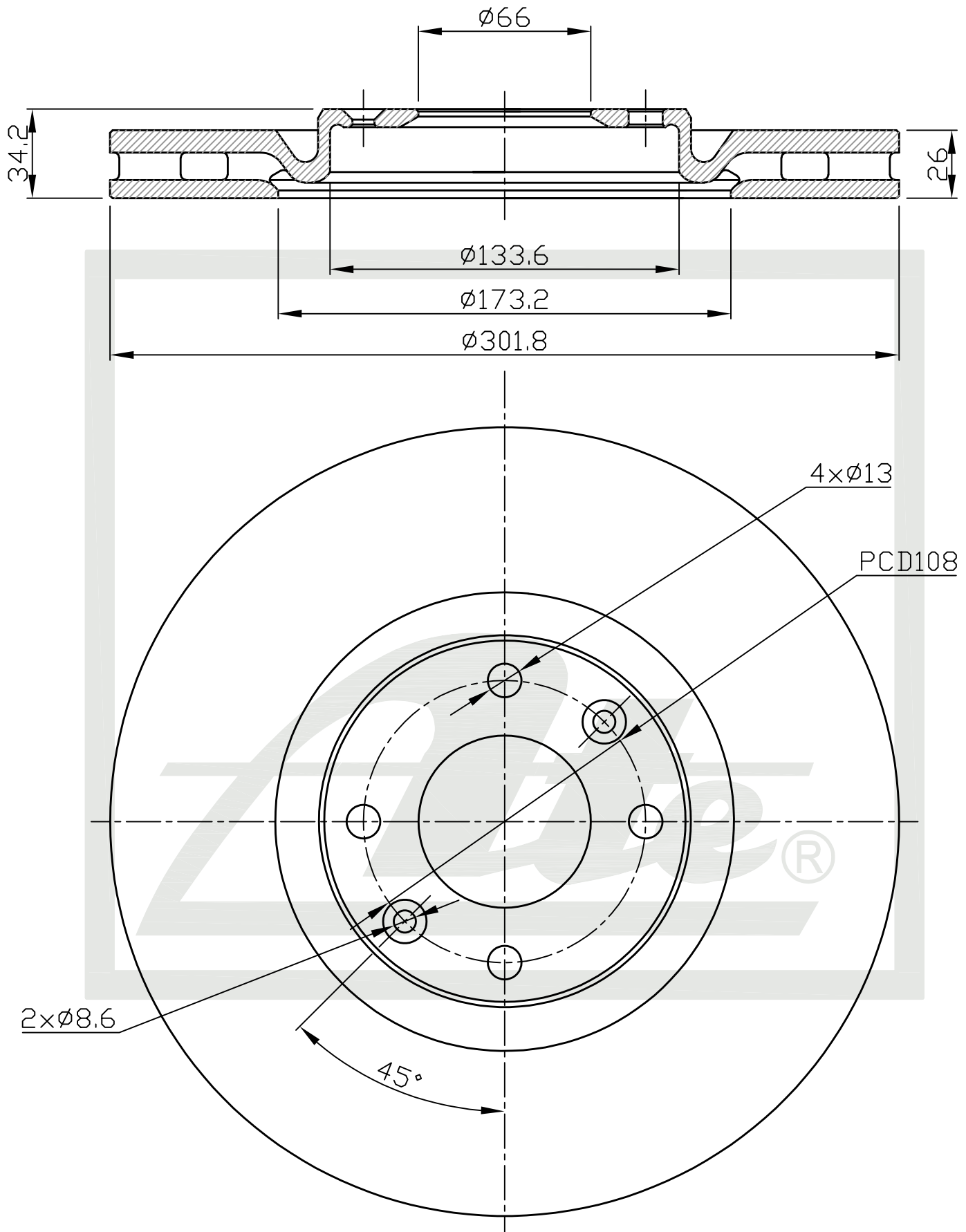


CITROEN
OPEL
PEUGEOT

126.0159

FRONT



MIN.THK.24MM