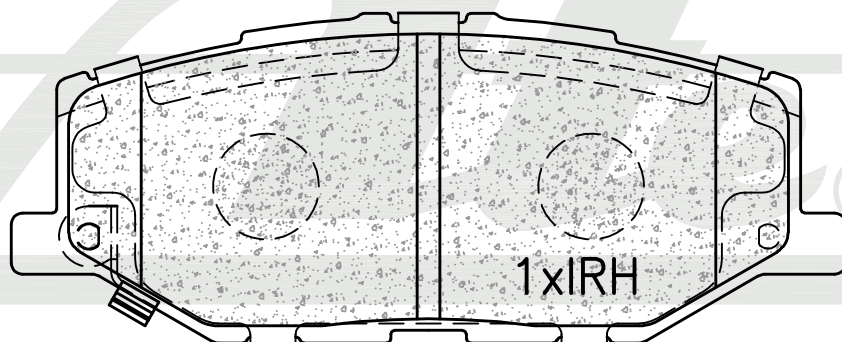
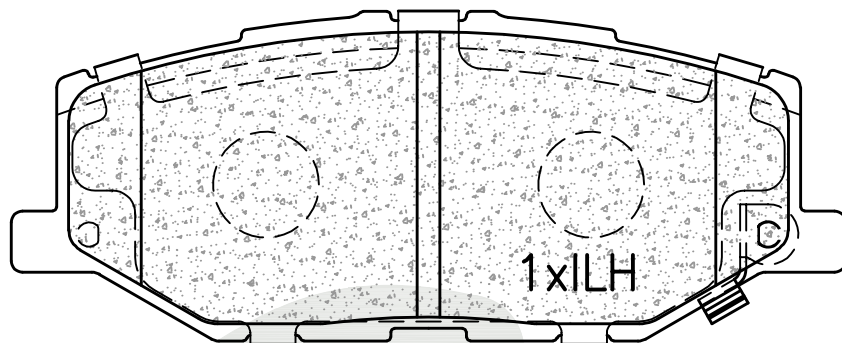
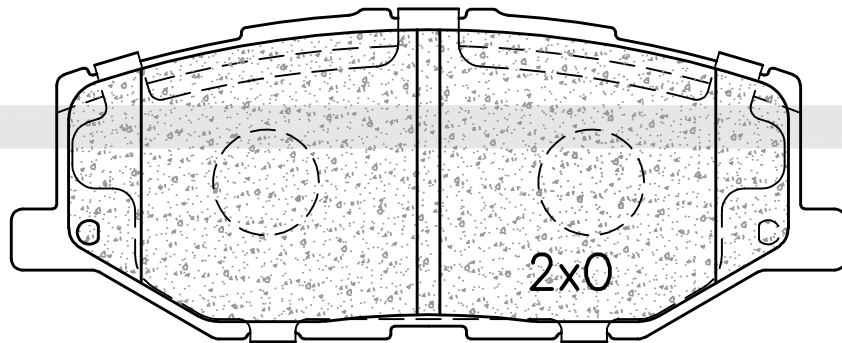


SUZUKI

ATE1405

FRONT



SUPPLIED WITH 2 X WEAR INDICATOR PADS PER SET

NOTE : L + R HANDED

← 110.4 → 43.6 ← 15.7 →