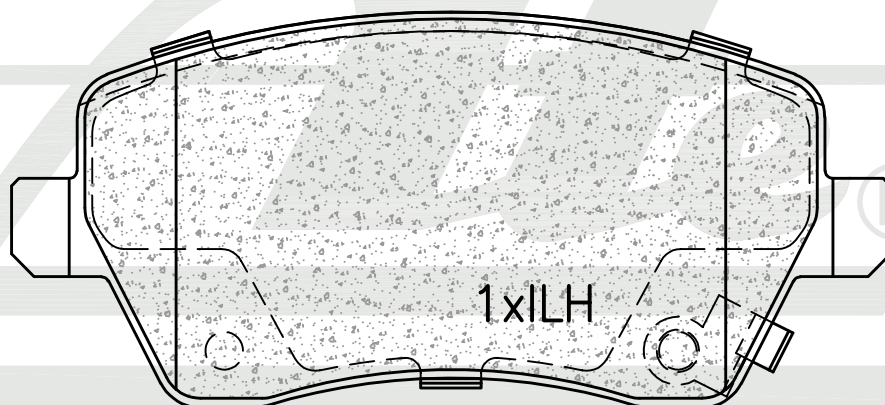
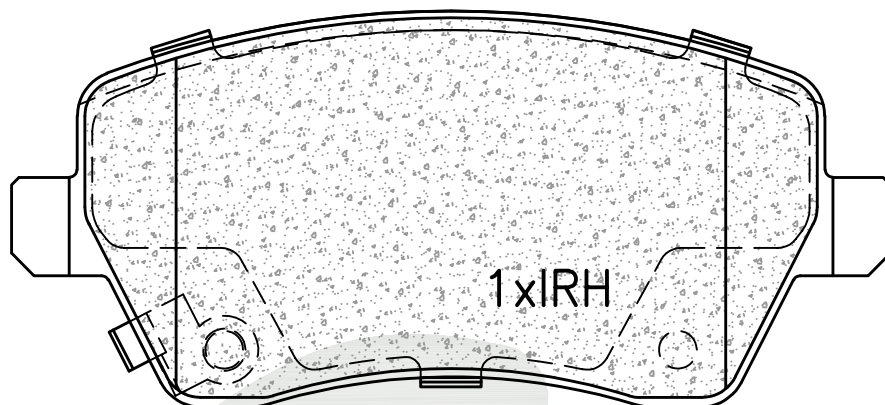
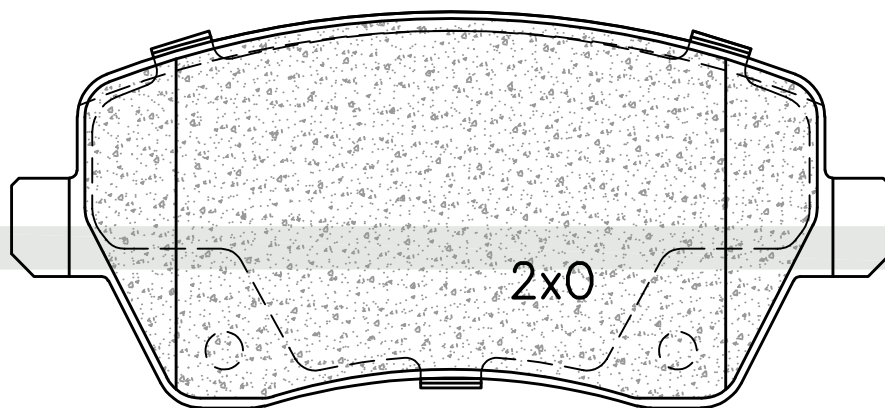


NISSAN

ATE1465

FRONT



SUPPLIED WITH 2 X WEAR INDICATOR PADS PER SET

NOTE : L + R HANDED

116.3 52.3 17.3

Technical dimension lines indicating measurements: 116.3 (width), 52.3 (height), and 17.3 (width of a small feature).